



IKATES, s.r.o., Tolstého 186, 415 03 Teplice, Czech Republic

Authorized Body No.225

Testing laboratory for glass and building products

AVETON PRODUCTS s.r.o.

Krátkého 211/2, Vysočany

190 00 Praha 9
Czech Republic

Your letter/ from

Our mark

Attending
Ing.Stránský

Teplice
2019-08-20

Subject: **Statement on impact test of panels GLASIO**

Based on the performed impact test - see Test Report No. 177A / 2019 - I inform you that GLASIO panels with an embedded stainless steel mesh withstood the pendulum impact of a test impactor according to EN 12600 of mass 50 kg from a height of 190 mm (ie level 3 according to EN 12600).

Since the impact did not create a opening through which a sphere of 76 mm diameter passed and did not separate specimen fragments of more than 10000 mm², and the individual fragments are very small due to the nature of the product, the product can be considered as safety product.

This statement applies to GLASIO panels fixed using of construction type GLASIO 110 or GLASIO 65.

Best regards



Jiří Stránský

manager of the testing laboratory



GLASIO 65

MAIN COMPONENTS OF THE GLASIO 65 SYSTEM

P01 - panel for Glasio 65

G04 - C profile horizontal

F01 - self drilling screw (TEX 4,8 x 19)

F07 - bolt M8, button socket head

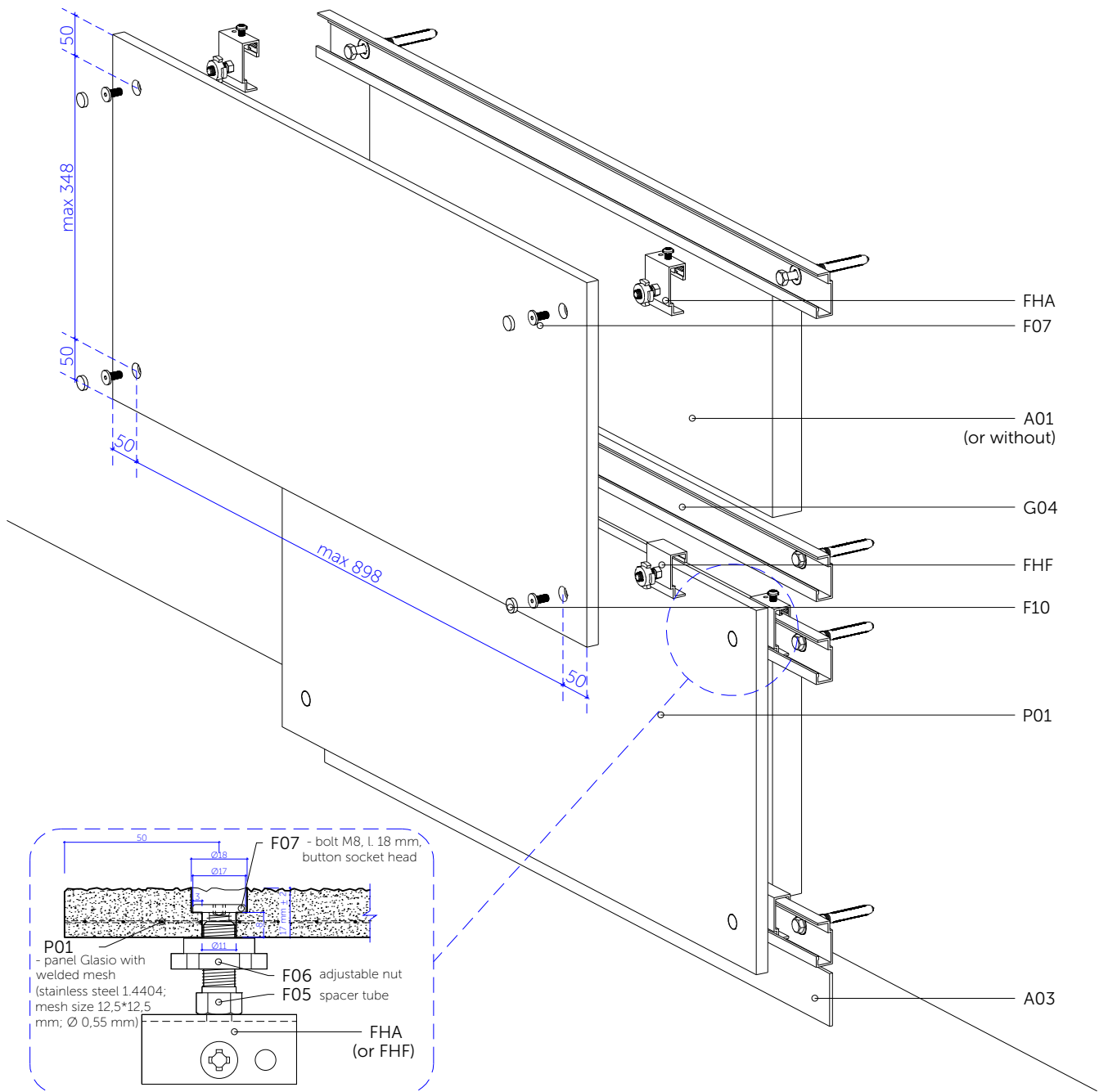
F10 - glass plug

FHA - adjustable hanger - assembled

FHF - flexible hanger - assembled

A01 - absorbent pad (1,2 x 0,6 x 0,05 m)

A03 - plinth (3000 x 65 x 6 mm)



GLASIO 110

MAIN COMPONENTS OF THE GLASIO 110 SYSTEM

- | | | |
|--|--|--|
| P01 - panel for Glasio 110 | G04 - C profile horizontal | FHA - adjustable hanger - assembled |
| G01 - wall bracket (80/40/3) | F01 - self drilling screw (TEX 4,8 x 19) | FHF - flexible hanger - assembled |
| G02 - T profile vertical (T 80/40/1,6) | F07 - bolt M8, button socket head | A01 - absorbent pad (1,2 x 0,6 x 0,05 m) |
| G03 - L profile vertical (L 40/40/2) | F10 - glass plug | A03 - plinth (3000 x 65 x 6 mm) |

